

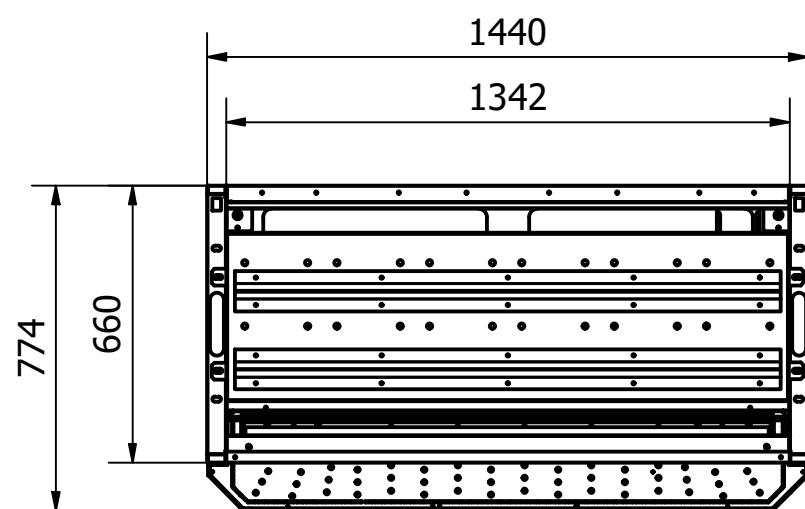
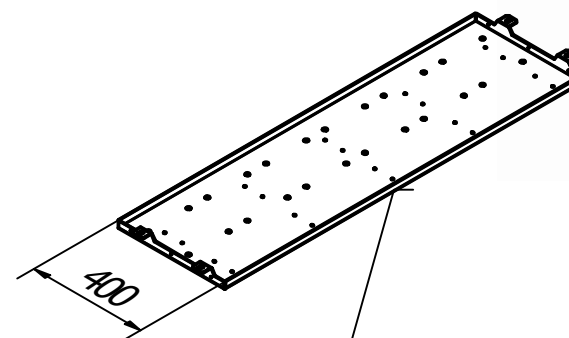
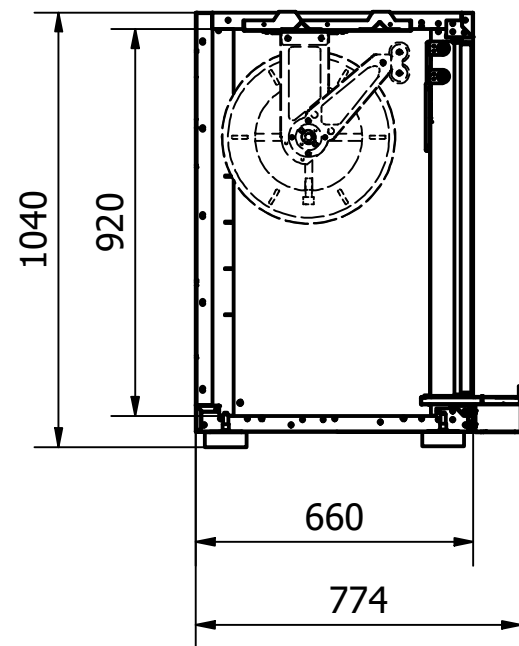
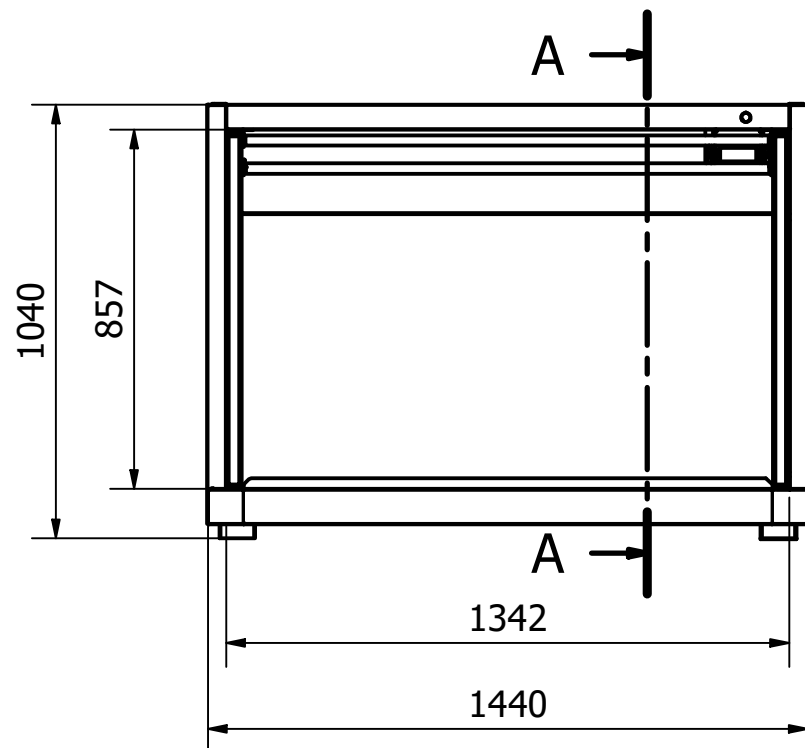


DEA srl
 Via Masaccio, 15
 42124 Z.I. Mancasale (RE) ITALY
 Tel. +39 0522 1533038
 Fax +39 0522 1544470
 info@deaworklab.it
 export@deaworklab.it
 www.deaworklab.it

AR-280.05

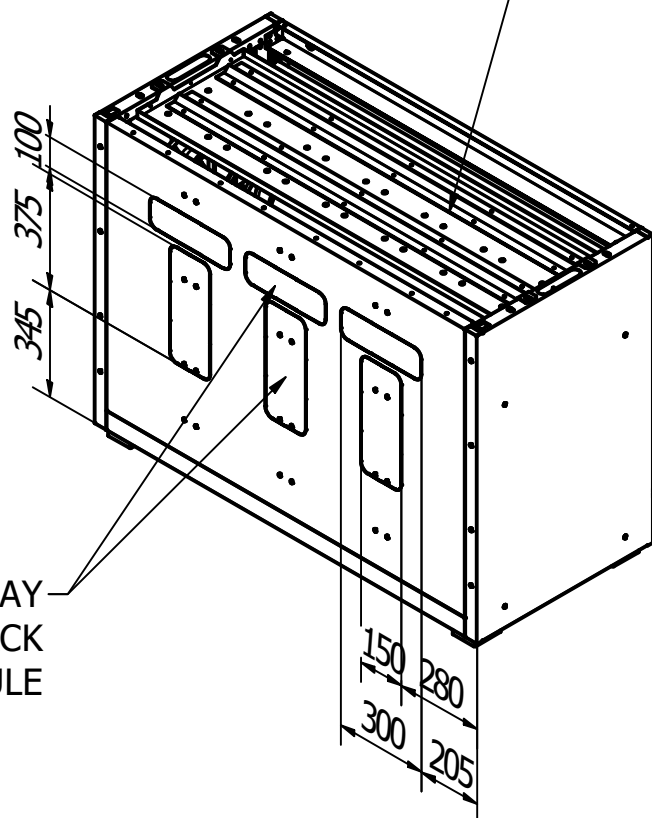


A-A (1:18)

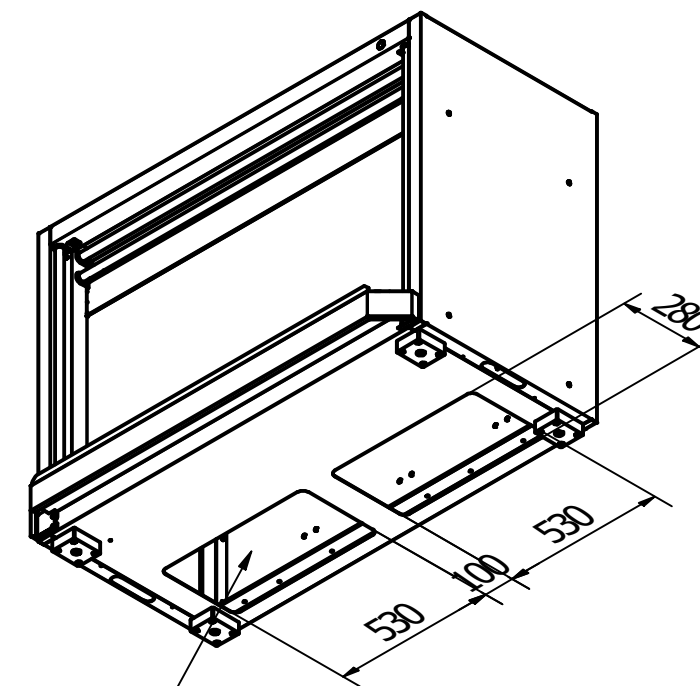


**MAX 6 HOSE REELS 205 mm WIDTH
 (SWIVEL INCLUDED)**

HOSE INLAY
 FROM THE BACK
 OF THE MODULE



HOSE INLAY
 FROM THE BOTTOM
 OF THE MODULE



Rev.