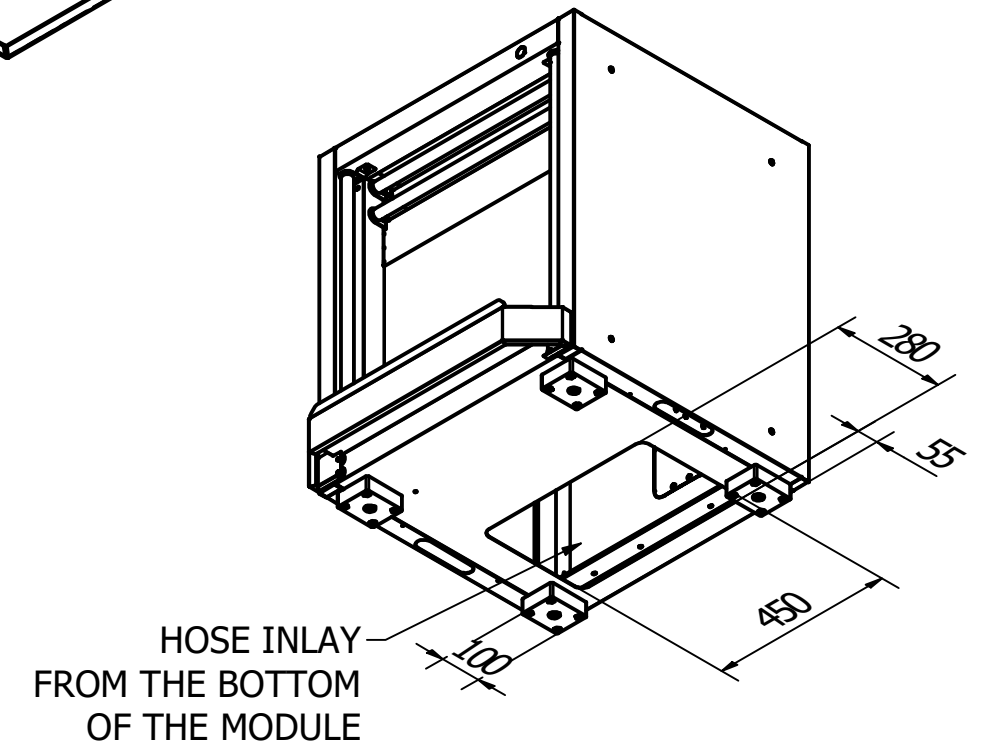
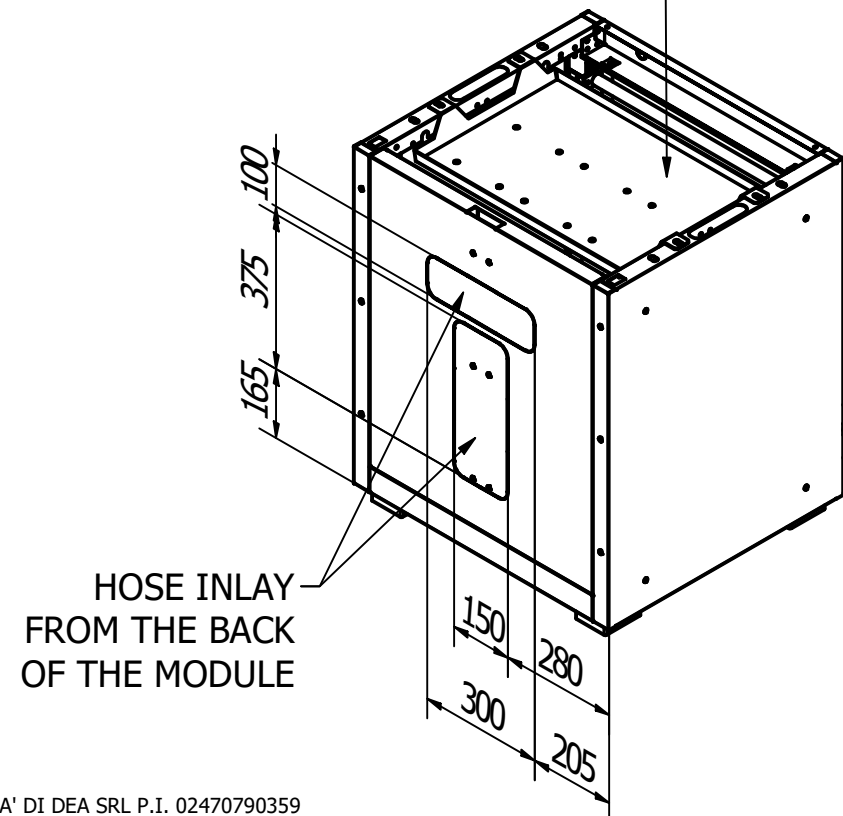
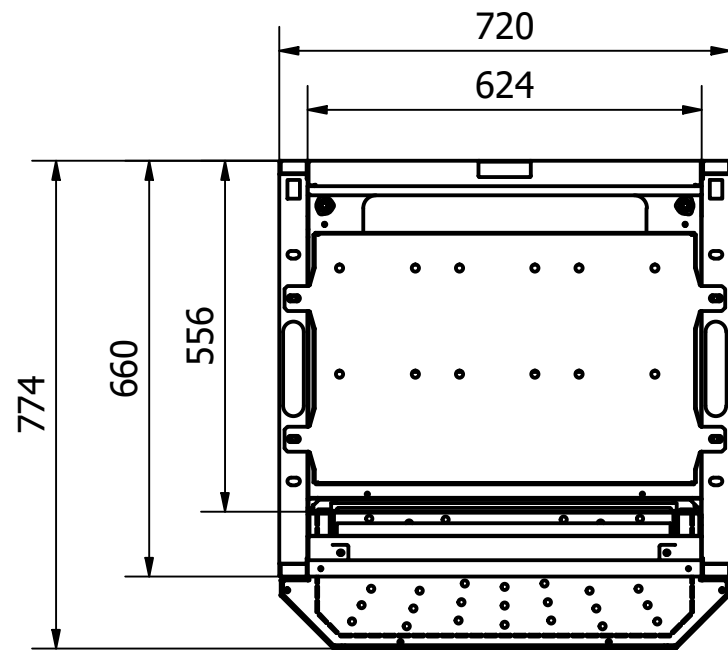
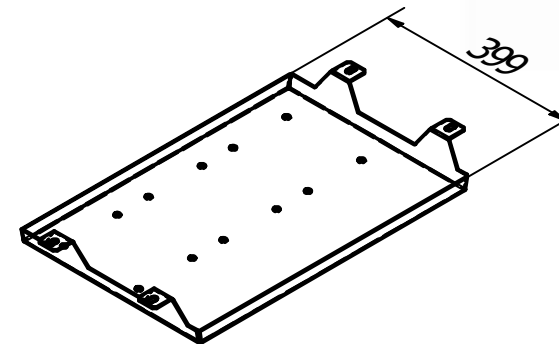
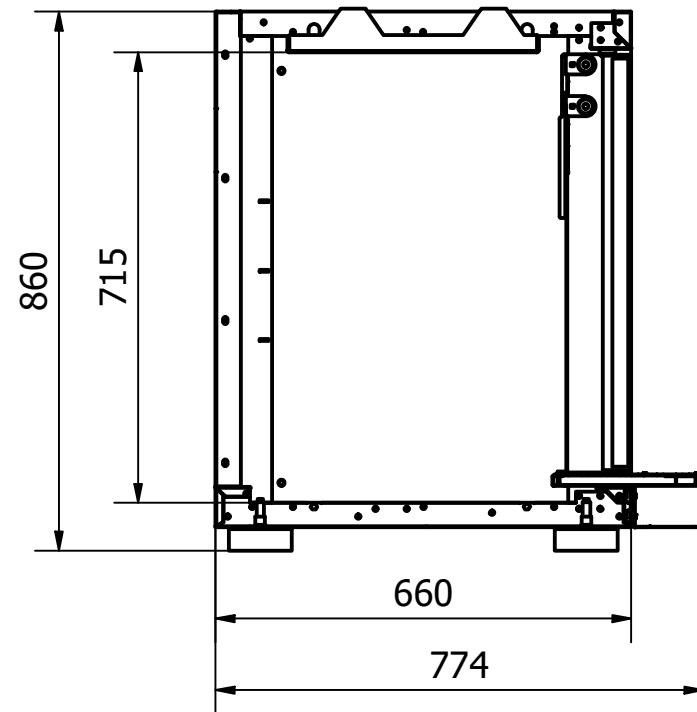
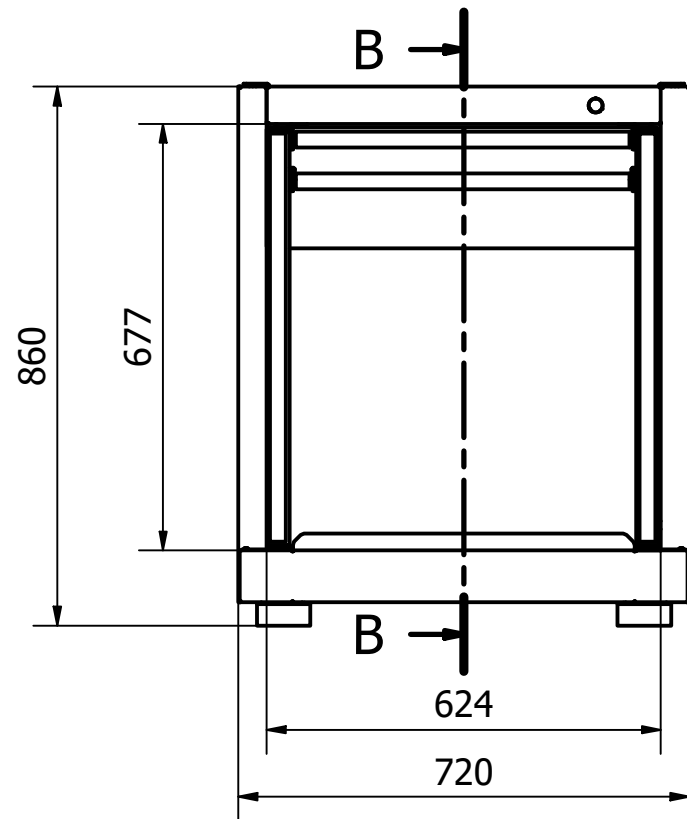


DEA srl
 Via Masaccio, 15
 42124 Z.I. Mancasale (RE) ITALY
 Tel. +39 0522 1533038
 Fax +39 0522 1544470
 info@deaworklab.it
 export@deaworklab.it
 www.deaworklab.it

AR-256.05



B-B (1:12)



**MAX 3 HOSE REELS 205 mm WIDTH
 (SWIVEL INCLUDED)**

Rev.