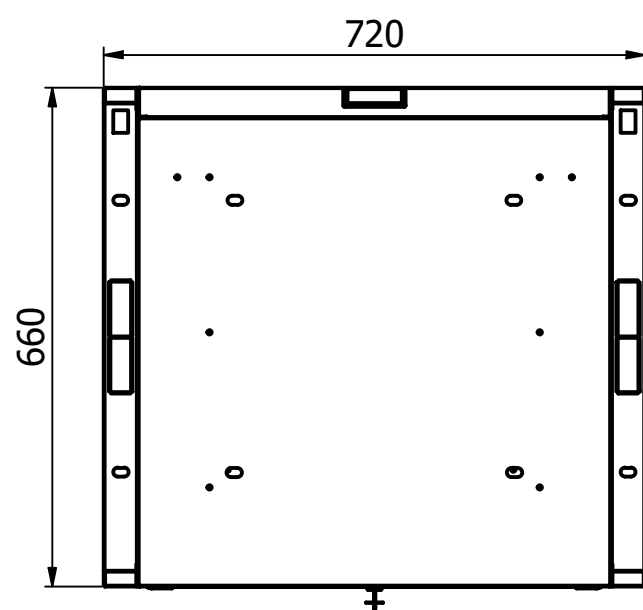
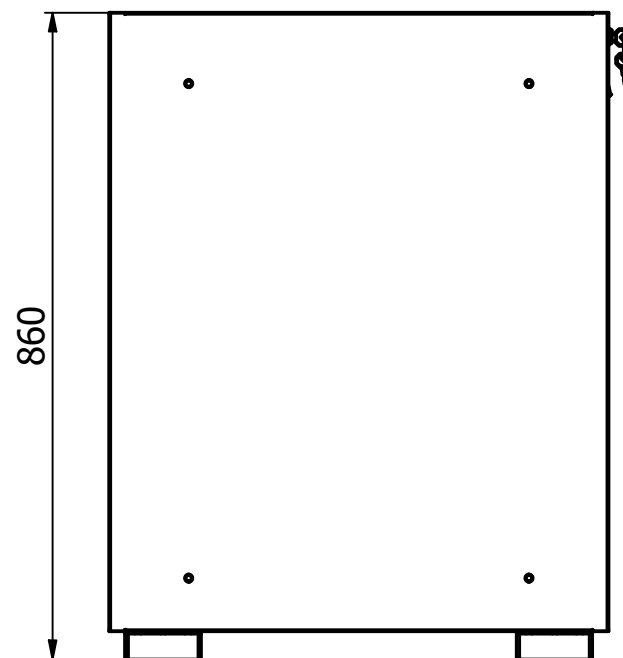
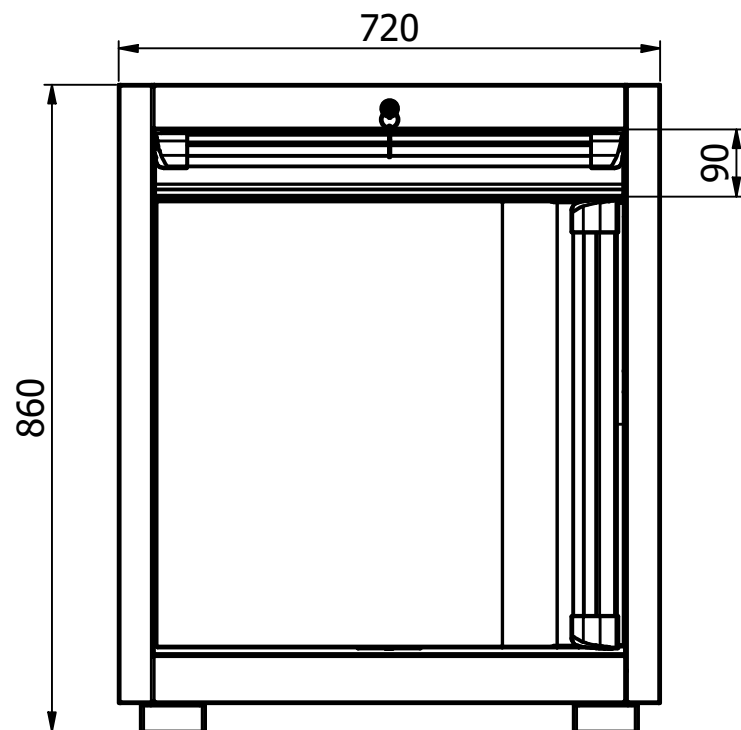


DEA S.r.l.
Via Masaccio, 15
42124 Z.I. Mancasale (RE) ITALY
Tel. +39 0522 1533038
Fax +39 0522 1544470
info@deaworklab.it
export@deaworklab.it
www.deaworklab.it

AR-447.11



DRAWER WITH
KEY LOCKING SYSTEM

ONE INTERNAL SHELF

DOOR WITHOUT
KEY LOCKING SYSTEM

